

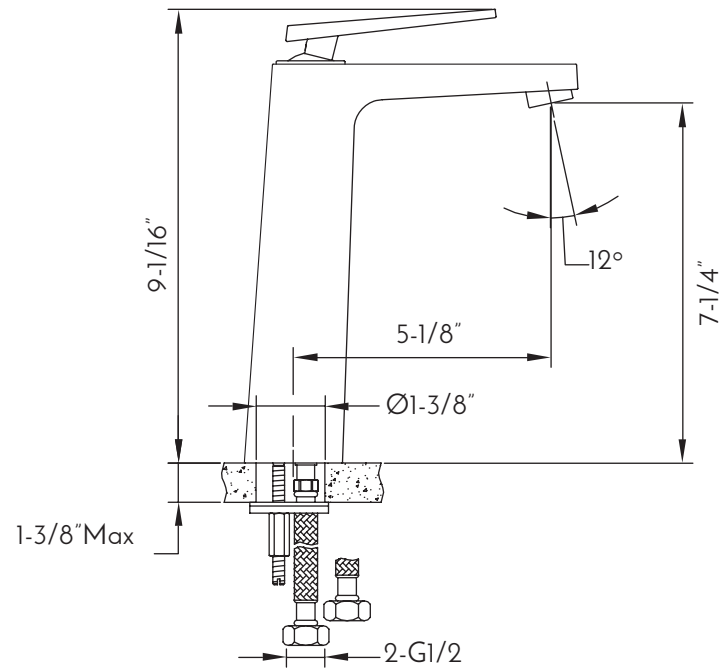


DAX-9802A



BATHROOM FAUCETS SERIES





## FEATURES

- Single Lever
- Vessel installation
- Ceramic cartridge
- Brass body
- Flow rate 1.2 GPM
- Installation hole 1-3/8"
- Chrome finish
- Hoses and mounting parts included
- Pop up drain not included (available)

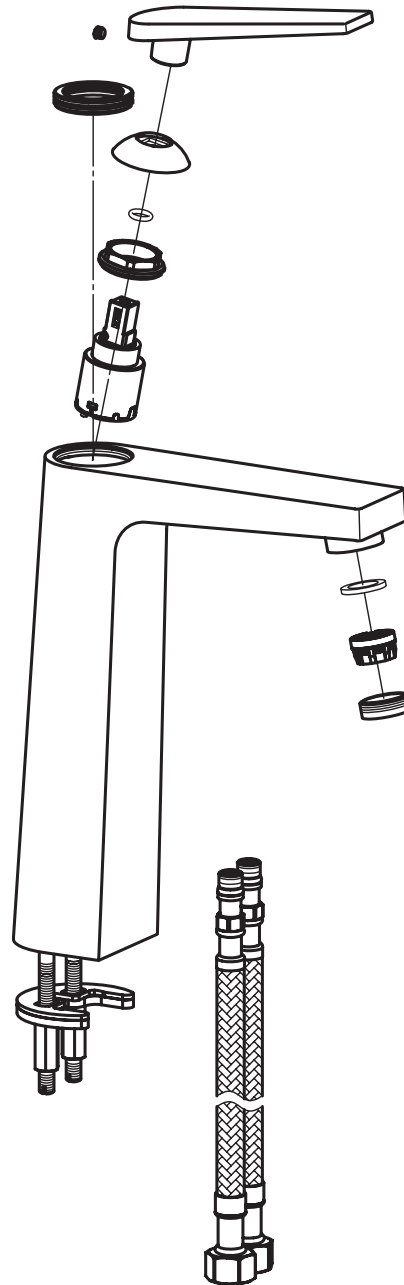




BATHROOM FAUCET **DAX-9802A**

MODEL	DAX-9802A
ADA	No
UPC APPROVED	No
ANSI APPROVED	No
ASME APPROVED	No
WATERSENSE CERTIFIED	No
NSF APPROVED	No
CONNECTION SIZE	G3/8
FAUCET HOLE SIZE	1-5/16"
FAUCETS HOLE	Single hole
FAUCET TYPE	Basin mixer
FLOW RATE (GPM)	1.2 Gpm at 60 psi
HANDLE STYLE	Single lever
NUMBER OF HANDLES	1
HEIGHT	9-1/16"
INSTALLATION TYPE	Deck mounted
MATERIAL	Brass body + zinc handle
FINISH	Chrome
SPOUT HEIGHT	7-1/4"
SPOUT REACH	5-1/8"
SPOUT SWIVEL	No
SPOUT TYPE	Casting spout
CARTRIDGE TYPE	Ceramic
POP-IP INCLUDED	No
MAX DECK THICKNESS	1-3/4" Max



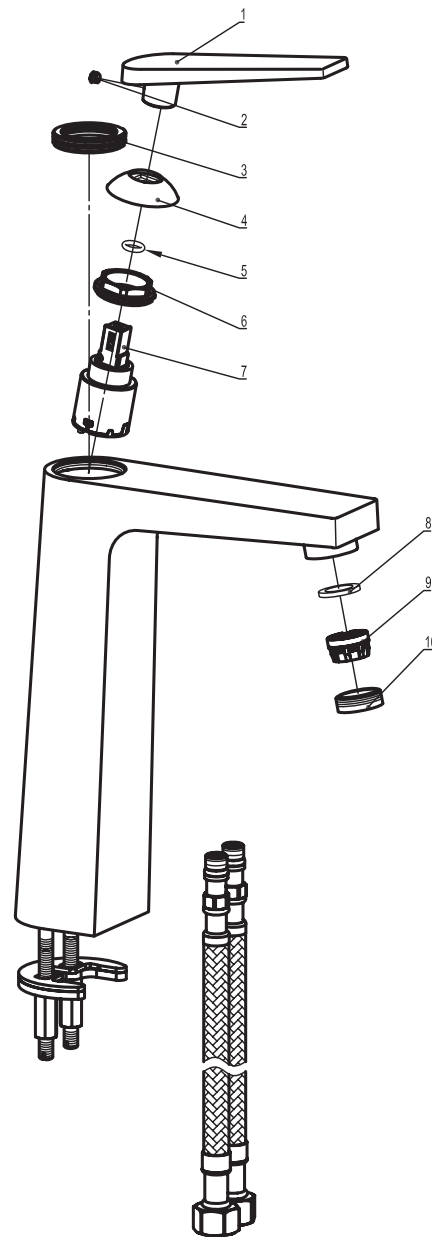


### INSTALLATION STEPS

1. Connect braided hoses and threaded rod to faucet body tightly. Slide lift rod to the hole at the back of faucet body.
2. Pass faucet body through hole of basin or bidet counter, pad rubber washer and locking washer in turn, tighten with hex coupling nut.
3. Install drainage set and connect with lift rod.
4. Connect braided hoses with triangle valves. Note: position as hot left and cold right.
5. Run water to check if the installation is qualified.



DIAGRAM NUMBER	DAX SKU	TITLE DESCRIPTION
1	FH D96-01	Handle
2	FH TJ-30503	M5x3 screw
3	FH D90-03	Locknut
4	FH D90-02A	Decorative cap
5	FH DB-22	Locknut
6	MF 1019	Ø6.2 x 1.9 O-ring
7	FH KEROX-25	Ø25 Kerox
8	FH 8223-11	Washer
9	FH TQ-06B	M22 Aerator
10	FH 8623-04	Inner



For parts or sale requirements please contact our customer service department:



CS@daxib.com



1 888 685 8236